

## Pole Top Box For Meter



## MG-M405C

### Pole Top Box For Meter

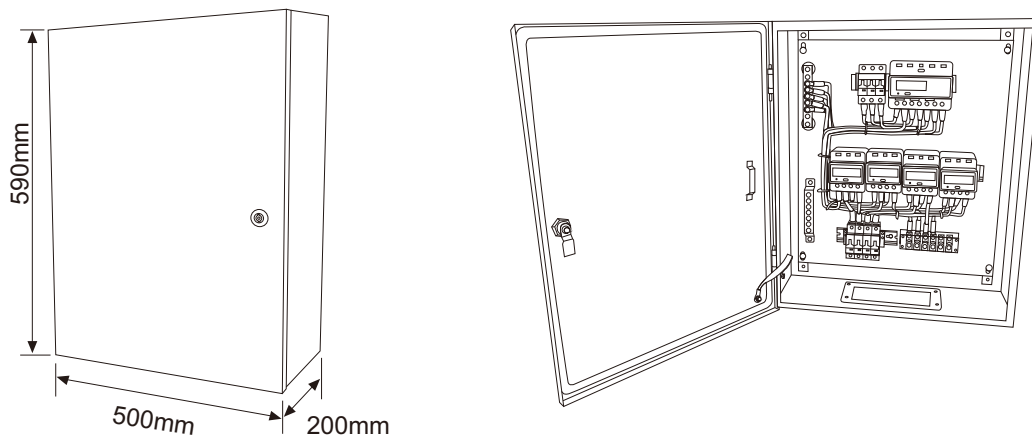
#### Technical Specification

Voltage:	AC220V,AC380V	Rated insulation voltage:	1kV
Mounting Method:	Wall mounted	Material:	Steel
Rated Voltage	230VAC	Rated Impulse Withstand Voltage	6kV
Rated power-frequency withstand voltage	3kV	Rated short-circuit current	6kA
Installation location:	Outdoor	Protection Grade:	IP54
Frequency:	50/60 Hz	Dimension (L x W x H):	500*200*590MM
Wiring capacity	Single phase:10 - 16mm <sup>2</sup> Three phase: 25 - 50mm <sup>2</sup>	Option	Option1:with SPD Option2:without SPD

#### Main Components

1. DIN mounted split meter,Three phase (1 Piece ).
2. DIN mounted Split meter,Single phase (4 Pieces).
3. Main Circuit Breaker, 3P,63A,Curve C,6kA.(1Piece).
4. Miniature circuit breaker, 1P,63A,Curve C,6kA.(4 Pieces).
5. Phase and neutral bars,( 2 Piece).
6. Terminal Block (1Piece).
7. Surge Protective Device,20-40kA,3P,385V.(1Pieces)
8. Cable glands,10 - 16mm<sup>2</sup> (4 Pieces),25 - 50mm<sup>2</sup>(1 Pieces).

#### Outline Dimension



Note\* It could be customized by request.